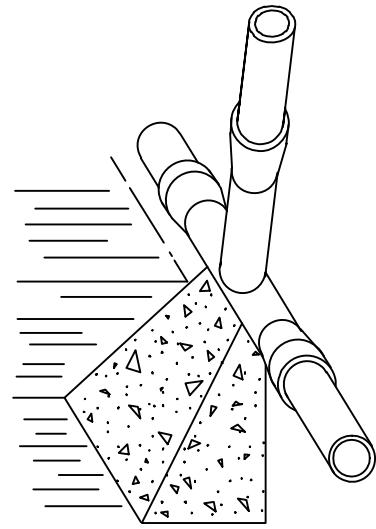
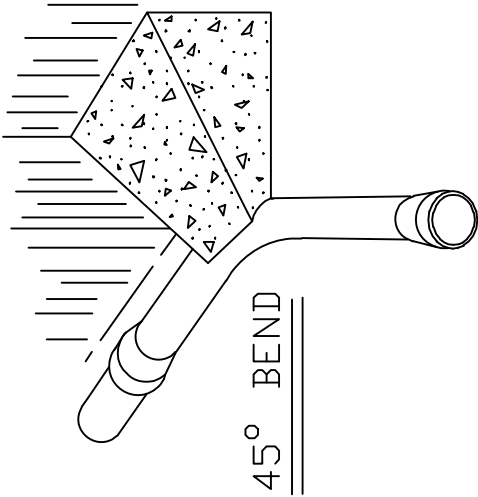


THRUST BLOCKING

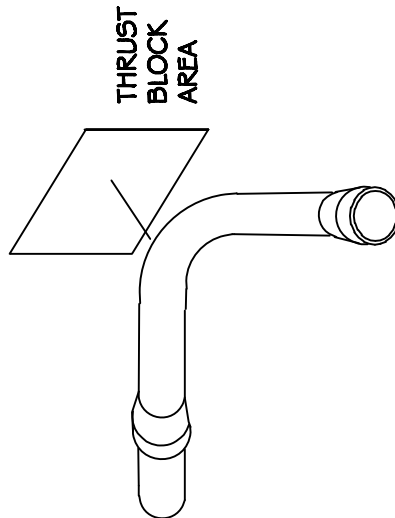


TEE INTERSECTION

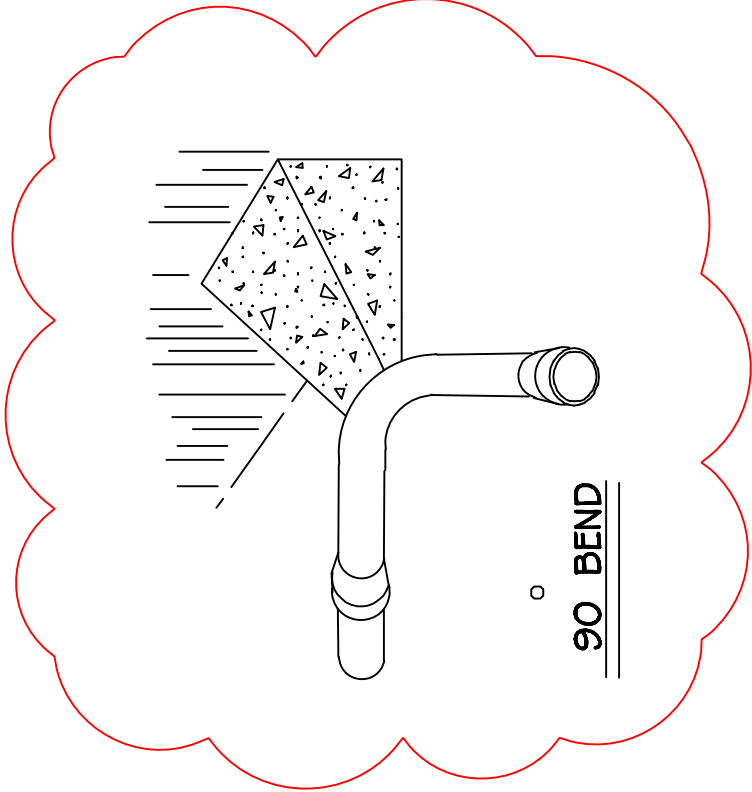


45° BEND

**** Allow use of 90° bend.**



THRUST
BLOCK
AREA



90 BEND

NOTES:

1. CONCRETE SHALL BE 3000 PSI
2. CONCRETE SHALL NOT CONTACT BOLTS OR ENDS OF MECHANICAL JOINT FITTINGS.
3. TRENCHES SHALL CONFORM TO STANDARD DETAIL R-3a AND R-3b.
4. SEE STANDARD THRUST BLOCK TABLES, R-7 THRU R-8, FOR AREA OF CONCRETE REQUIRED.
5. ALL BENDS AND INTERSECTIONS SHALL HAVE CONCRETE THRUST BLOCKING.

CITY OF RALEIGH

DEPARTMENT OF PUBLIC UTILITIES

STANDARD THRUST BLOCKING VIEWS

DWG. NO.	REVISIONS	DATE	REVISIONS	DATE
R-6	D.W.C.	9-7-99	D.H.L.	6-18-08
	R.R.H.	3-31-00	J.P.S.	10-1-10