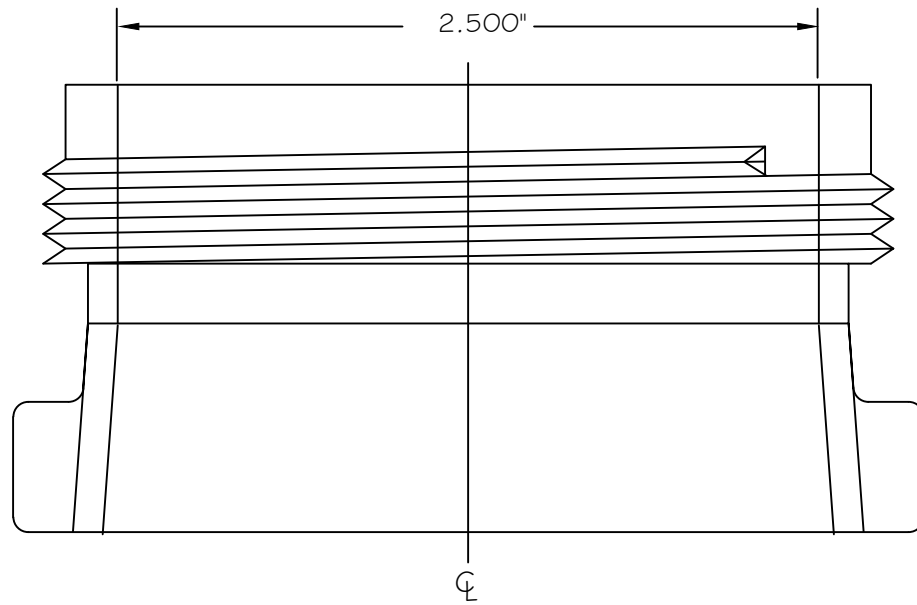
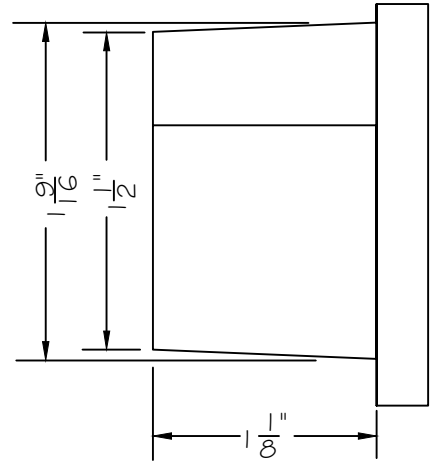


1 9/16" OPERATION NUT



2 1/2" NATIONAL STANDARD
OUTLET THREADS

CITY OF RALEIGH				
DEPARTMENT OF PUBLIC UTILITIES				
HYDRANT OPERATING NUT AND 2 1/2" OUTLET THREADS				
DWG. NO.	REVISIONS	DATE	REVISIONS	DATE
W-6	RRH	3-31-00	DHL	2-18-08
	A.B.B	4-13-04	J.P.S	11-1-10