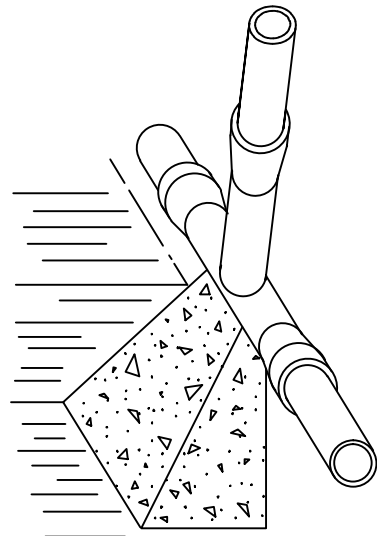
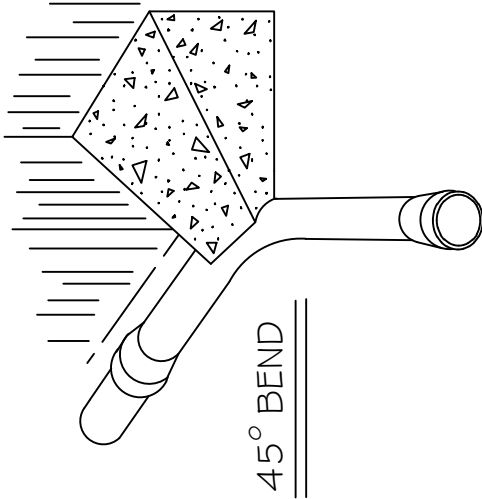


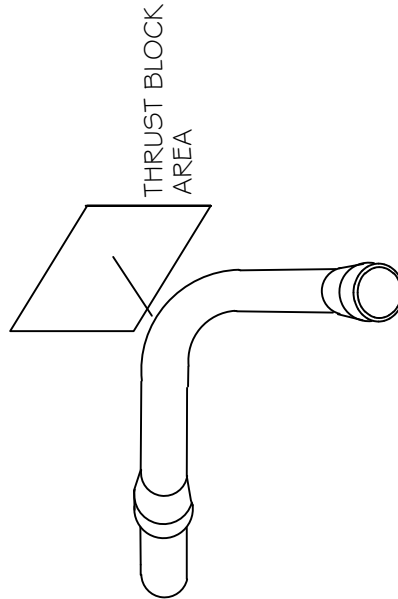
# THRUST BLOCKING



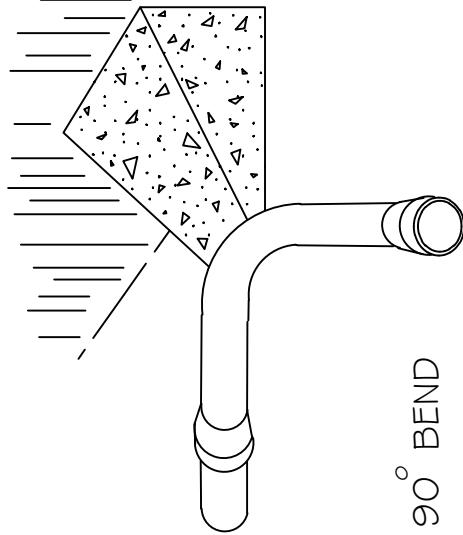
TEE INTERSECTION



45° BEND



THRUST BLOCK AREA



90° BEND

NOTES:

1. CONCRETE SHALL BE 3000 PSI
2. CONCRETE SHALL NOT CONTACT BOLTS OR ENDS OF MECHANICAL JOINT FITTINGS.
3. TRENCHES SHALL CONFORM TO STANDARD DETAIL W-3.
4. SEE STANDARD THRUST BLOCK TABLES, W-10 THRU W-11, FOR AREA OF CONCRETE REQUIRED.
5. ALL BENDS AND INTERSECTIONS SHALL HAVE CONCRETE THRUST BLOCKING.

CITY OF RALEIGH

DEPARTMENT OF PUBLIC UTILITIES

## STANDARD THRUST BLOCKING VIEWS

DWG. NO.	REVISIONS	DATE	REVISIONS	DATE
S-7		3-1-87	RRH	3-31-00
	D.W.C.	9-7-99	D.H.L.	6-18-08