

**RHDC**

RALEIGH HISTORIC  
DEVELOPMENT COMMISSION

# CERTIFICATE OF APPROPRIATENESS PLACARD

for Raleigh Historic Resources

106 S WILMINGTON STREET

Address

MOORE SQUARE

Historic District

Historic Property

094-17-MW

Certificate Number

05-31-2017

Date of Issue

11-30-2017

Expiration Date

**Project Description:**

- Replacement of sign on storefront
- 

*This card must be kept pasted in a location within public view until all phases of the described project are complete. The work must conform with the code of the City of Raleigh and laws of the state of North Carolina. When your project is complete, you are required to ask for a final zoning inspection in a historic district area. Telephone the RHDC office at 832-7238 and commission staff will coordinate the inspection with the Inspections Department. If you do not call for this final inspection, your Certificate of Appropriateness is null and void.*

Signature, \_\_\_\_\_

Raleigh Historic Development Commission

*Pending the resolution of appeals, commencement of work is at your own risk.*



# Raleigh Historic Development Commission – Certificate of Appropriateness (COA) Application



**DEVELOPMENT  
SERVICES  
DEPARTMENT**

Development Services  
Customer Service Center  
One Exchange Plaza  
1 Exchange Plaza, Suite 400  
Raleigh, North Carolina 27601  
Phone 919-996-2495  
eFax 919-996-1831



|   |  |
|---|--|
| <input checked="" type="checkbox"/> <b>Minor Work (staff review) – 1 copy</b><br><br><input type="checkbox"/> <b>Major Work (COA Committee review) – 10 copies</b><br><input type="checkbox"/> Additions Greater than 25% of Building Square Footage<br><input type="checkbox"/> New Buildings<br><input type="checkbox"/> Demo of Contributing Historic Resource<br><input type="checkbox"/> All Other<br><br><input type="checkbox"/> Post Approval Re-review of Conditions of Approval | <b>For Office Use Only</b><br>Transaction # <u>513547</u><br>File # <u>094-17-MW</u><br>Fee <u>2900</u><br>Amount Paid <u>2900</u><br>Received Date <u>5/18/17</u><br>Received By <u>P. Bird</u> |
|---|--|

Property Street Address 106 S WILMINGTON ST, RALEIGH, 27601

Historic District MOORE SQ HISTORIC DISTRICT

Historic Property/Landmark name (if applicable) \_\_\_\_\_

Owner's Name DOS TAQUITOS EXPRESS LLC

|                        |                            |                             |
|------------------------|----------------------------|-----------------------------|
| Lot size <u>.06 AC</u> | (width in feet) <u>25'</u> | (depth in feet) <u>105'</u> |
|------------------------|----------------------------|-----------------------------|

For applications that require review by the COA Committee (Major Work), provide addressed, stamped envelopes to owners of all properties within 100 feet (i.e. both sides, in front (across the street), and behind the property) not including the width of public streets or alleys ([Label Creator](#)).

| Property Address | Property Address |
|------------------|------------------|
|                  |                  |
|                  |                  |
|                  |                  |
|                  |                  |
|                  |                  |
|                  |                  |
|                  |                  |
|                  |                  |
|                  |                  |





**Minor Work Approval (office use only)**

Upon being signed and dated below by the Planning Director or designee, this application becomes the Minor Work Certificate of Appropriateness. It is valid until 11/30/17. Please post the enclosed placard form of the certificate as indicated at the bottom of the card. Issuance of a Minor Work Certificate shall not relieve the applicant, contractor, tenant, or property owner from obtaining any other permit required by City Code or any law. Minor Works are subject to an appeals period of 30 days from the date of approval.

Signature (City of Raleigh) Melissa Robb Date 5/31/17

|   | TO BE COMPLETED BY APPLICANT |                          | TO BE COMPLETED BY CITY STAFF |    |     |
|---|------------------------------|--------------------------|-------------------------------|----|-----|
|   | YES                          | N/A                      | YES                           | NO | N/A |
| <p>Attach 8-1/2" x 11" or 11" x 17" sheets with written descriptions and drawings, photographs, and other graphic information necessary to completely describe the project. Use the checklist below to be sure your application is complete.</p> <p><b>Minor Work (staff review) – 1 copy</b></p> <p><b>Major Work (COA Committee review) – 10 copies</b></p>   |                              |                          |                               |    |     |
| 1. <b>Written description.</b> Describe clearly and in detail the nature of your project. Include exact dimensions for materials to be used (e.g. width of siding, window trim, etc.)   | <input type="checkbox"/>     |                          |                               |    |     |
| 2. <b>Description of materials</b> (Provide samples, if appropriate)  | <input type="checkbox"/>     |                          |                               |    |     |
| 3. <b>Photographs</b> of existing conditions are required. Minimum image size 4" x 6" as printed. Maximum 2 images per page.  | <input type="checkbox"/>     |                          |                               |    |     |
| 4. <b>Paint Schedule</b> (if applicable)  | <input type="checkbox"/>     | <input type="checkbox"/> |                               |    |     |
| 5. <b>Plot plan</b> (if applicable). A plot plan showing relationship of buildings, additions, sidewalks, drives, trees, property lines, etc., must be provided if your project includes any addition, demolition, fences/walls, or other landscape work. Show accurate measurements. You may also use a copy of the survey you received when you bought your property. Revise the copy as needed to show existing conditions and your proposed work.   | <input type="checkbox"/>     | <input type="checkbox"/> |                               |    |     |
| 6. <b>Drawings</b> showing existing and proposed work <ul style="list-style-type: none"> <li><input type="checkbox"/> Plan drawings</li> <li><input type="checkbox"/> Elevation drawings showing the façade(s)</li> <li><input type="checkbox"/> Dimensions shown on drawings and/or graphic scale (required)</li> <li><input type="checkbox"/> 11" x 17" or 8-1/2" x 11" reductions of full-size drawings. If reduced size is so small as to be illegible, make 11" x 17" or 8-1/2" x 11" snap shots of individual drawings from the big sheet.</li> </ul> | <input type="checkbox"/>     | <input type="checkbox"/> |                               |    |     |
| 7. Stamped envelopes addressed to all property owners within 100 feet of property not counting the width of public streets and alleys (required for Major Work). Use the <a href="#">Label Creator</a> to determine the addresses.  | <input type="checkbox"/>     | <input type="checkbox"/> |                               |    |     |
| 8. <b>Fee</b> ( <a href="#">See Development Fee Schedule</a> )  | <input type="checkbox"/>     |                          |                               |    |     |





Centro  
Mexican del Corazon

FDC

Stop profiling Muslims

LET'S CALL

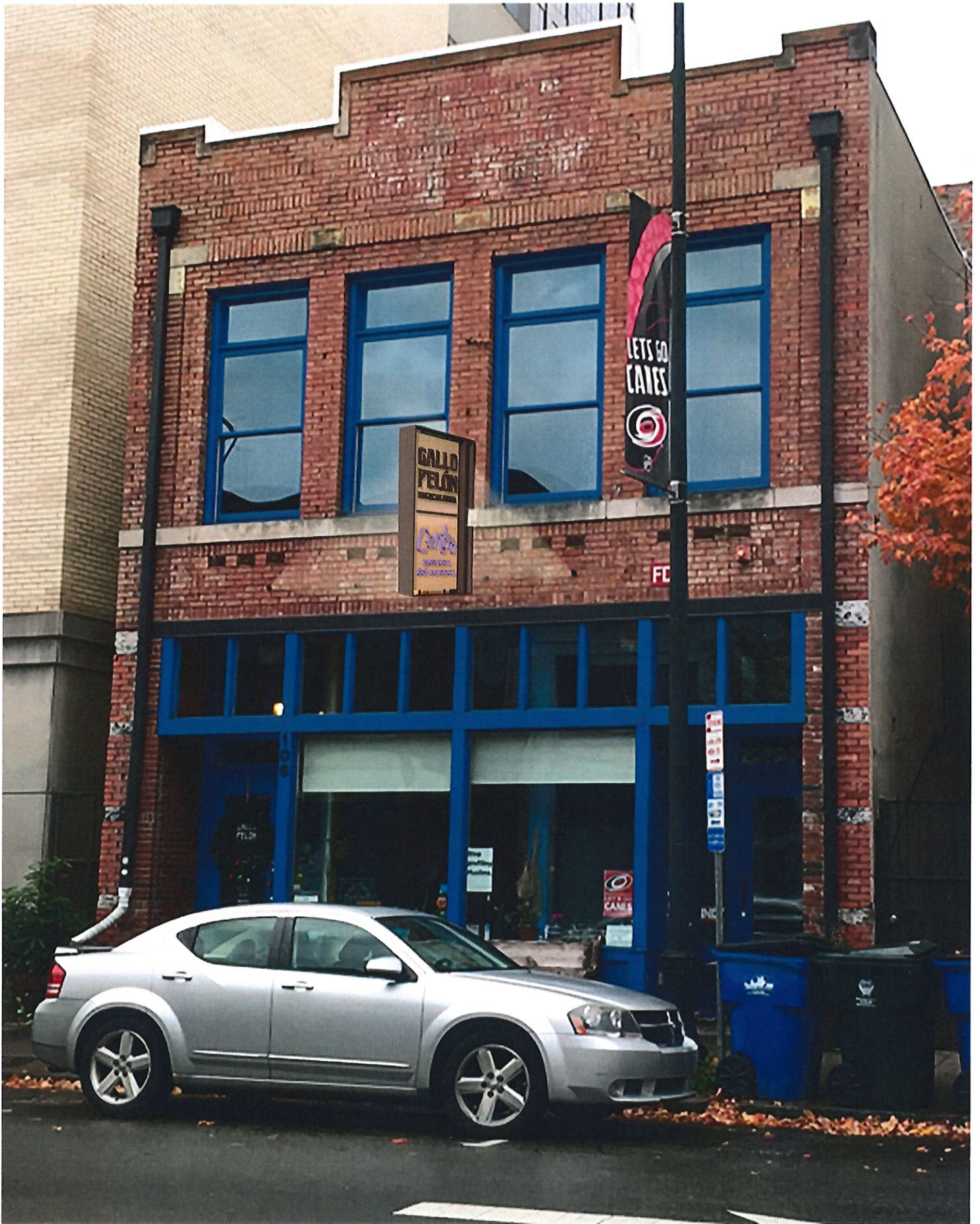




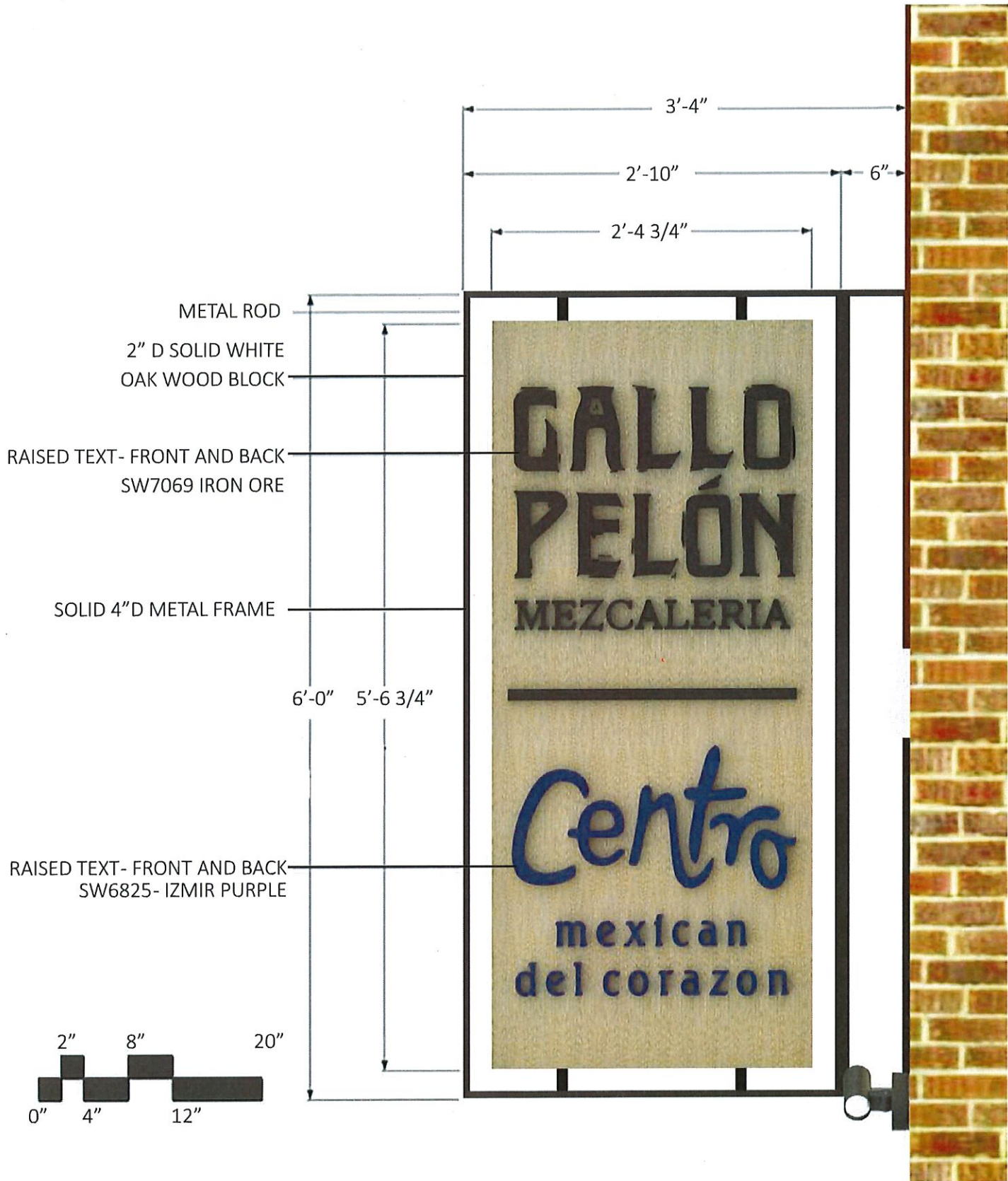




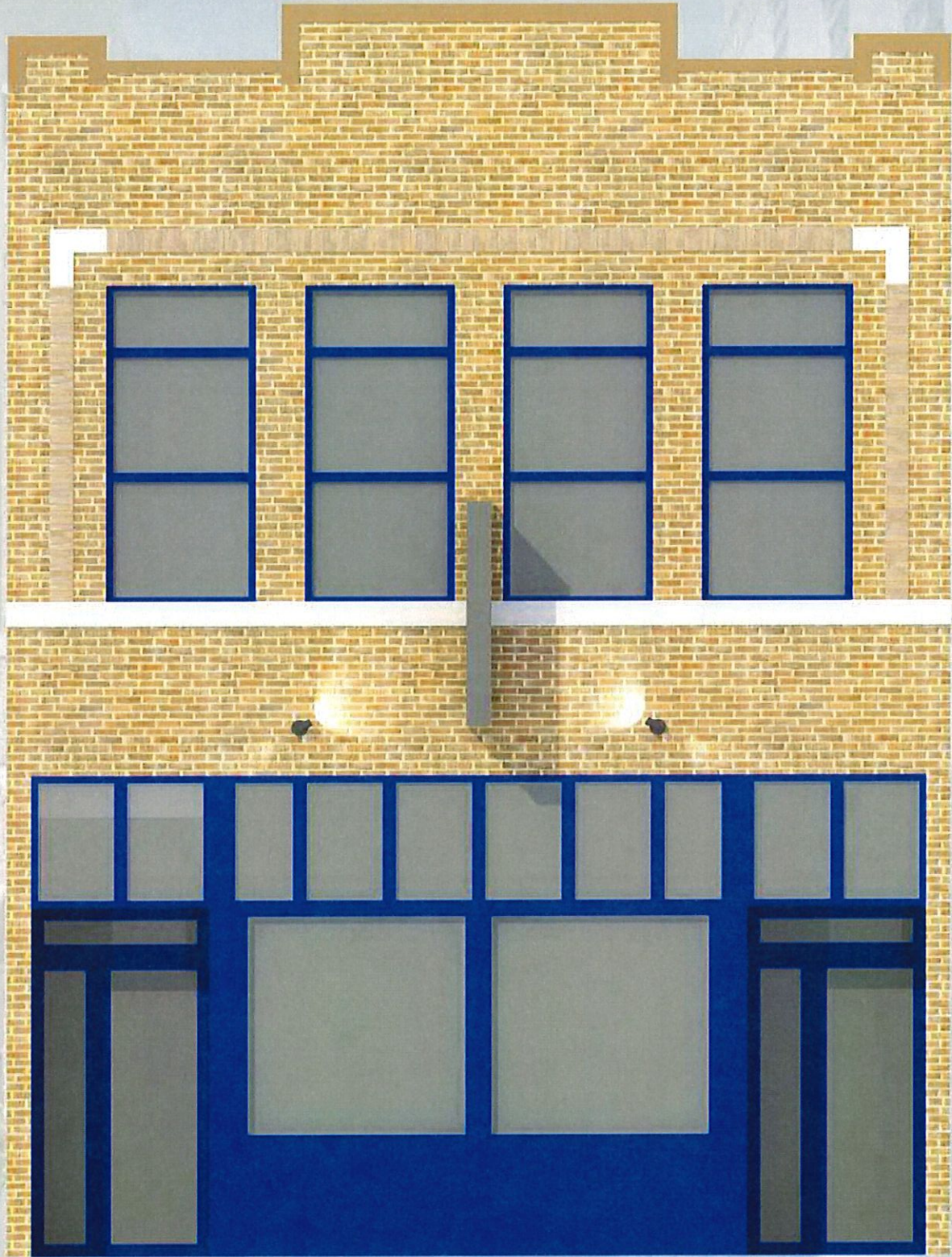
















Type: Exterior Sign Lighting

Catalog No.: SLT-SA-SPOT-MVOLT-BL

Project: CENTRO/GALLO PELON

Notes:

### PRODUCT DESCRIPTION

LED sign lighter fit most sign lighting applications. Complete Sign Lighter includes: sign lighter assembly, driver/power source, mounting hardware and instructions.

Sealed assembly for indoor or outdoor use • Will accept one lens accessory • Available in black or bronze powder painted finishes.

Canopy Diameter: 5"

### PRODUCT SPECIFICATIONS

#### LED

**Lamp:** High Performance LEDs provide outstanding reliability, performance and color quality/consistency • 2700K, 3000K or 4000K white phosphor high performance LED • 80 CRI minimum

**Power Source:** Electronic driver 120 or 277V, 50/60Hz  
• Overcurrent and short circuit protection • FCC Part 15 Class B rated

#### OPTICS

Field interchangeable optics • Available in four beam spreads – 12° Spot, 23° Narrow Flood, 34° Flood and 53° Wide Flood

#### MECHANICAL

##### All Aluminum Construction

**Lamp Housing and Tube Support:** Available in Black or Bronze powder coated finish

**Adjustability:** 180° vertical aiming and 180° horizontal rotation

**Weather Resistant:** "O"-Ring weather resistant seals

**Mounting:** Fixture wall mounted on surface over J-box, also suitable for mounting within 1.2 m (4 ft.) of the ground.

Remote power supply suited for indoor only, recessed or surface mounting. Maximum remote distance is 3 ft.

#### AGENCY APPROVAL

UL1598/CSA C22.2 250 wet location • Union made • Assembled in the USA • ENERGY STAR® Compliant

**Warranty** 5-year limited warranty. Complete warranty terms located at: [www.acuitybrands.com/CustomerResources/Terms\\_and\\_conditions.aspx](http://www.acuitybrands.com/CustomerResources/Terms_and_conditions.aspx).

Specifications subject to change without notice.

## SIGN LIGHTER LED

### SLT SERIES / SHORT ARM

### INDOOR/OUTDOOR

### FLAT CANOPY HOUSING







**SIGN LIGHTER LED**  
 SLT SERIES / SHORT ARM  
**INDOOR/OUTDOOR**  
**FLAT CANOPY HOUSING**

**ORDERING INFORMATION**

Ordering Example: SLT SA SPOT 30K MVOLT BZ

| Series | Housing                                 | Distribution   | Color Tempertaure                   | Voltage                               | Finish                |
|--------|---|--|-------------------------------------|---------------------------------------|-----------------------|
| SLT    | SA Short Arm - Flat Canopy Sign Lighter | SPOT Spot<br>NFLOOD Narrow Flood<br>FLOOD Flood<br>WFLOOD Wide Flood | 27K 2700K<br>30K 3000K<br>40K 4000K | MVOLT Multi-Volt<br>(120V - 277 Volt) | BL Black<br>BZ Bronze |

Accessories: Order as separate catalog number.

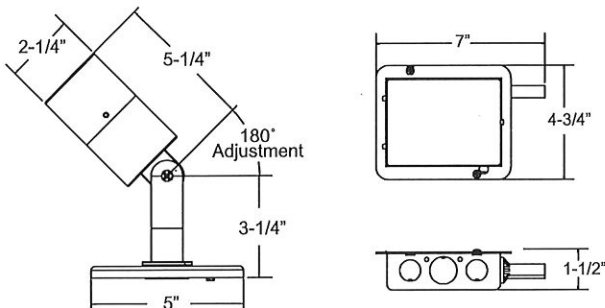
**Optical Accessories<sup>1</sup>**

|               |                          |                               |                            |
|---------------|--------------------------|-------------------------------|----------------------------|
| TIR1 SPT      | TIR Optic - Spot         | CGF 200 DLTBLUE               | Daylight Blue Color Filter |
| TIR1 NFLD     | TIR Optic - Narrow Flood | CGF 200 MBLU                  | Medium Blue Color Filter   |
| TIR1 FLD      | TIR Optic - Flood        | CGF 200 MAMB                  | Medium Amber Color Filter  |
| TIR1 WFLD     | TIR Optic - Wide Flood   | CGF 200 MGRN                  | Medium Green Color Filter  |
| CGF 200 MPINK | Medium Pink Color Filter | DCCF 200 HAL2700 <sup>2</sup> | Color Correction Filter    |
| CGF 200 WRED  | Warm Red Color Filter    |                               |                            |

Notes:

- 1 Fixtures accept up to one accessory filter.
- 2 Corrects 3000K color to approximately 2700K, and 4000K to approximately 3400K.

**DIMENSIONS**







# SIGN LIGHTER LED

## SLT SERIES / SHORT ARM

### INDOOR/OUTDOOR

### FLAT CANOPY HOUSING

#### PERFORMANCE DATA<sup>1</sup>

| Catalog Number           | Input Voltage | Input Watts (Typical) | CCT   | Lumens | Efficacy (LPW) | Rated Life (Hours) |
|--------------------------|---------------|-----------------------|-------|--------|----------------|--------------------|
| SLT SHD SPOT 27K MVOLT   | 120V          | 10W                   | 2700K | 885    | 89             | 50,000             |
| SLT SHD NFLOOD 27K MVOLT | 120V          | 10W                   | 2700K | 840    | 85             | 50,000             |
| SLT SHD FLOOD 27K MVOLT  | 120V          | 10W                   | 2700K | 881    | 89             | 50,000             |
| SLT SHD WFLOOD 27K MVOLT | 120V          | 10W                   | 2700K | 777    | 79             | 50,000             |
| SLT SHD SPOT 30K MVOLT   | 120V          | 10W                   | 3000K | 984    | 98             | 50,000             |
| SLT SHD NFLOOD 30K MVOLT | 120V          | 10W                   | 3000K | 933    | 93             | 50,000             |
| SLT SHD FLOOD 30K MVOLT  | 120V          | 10W                   | 3000K | 979    | 98             | 50,000             |
| SLT SHD WFLOOD 30K MVOLT | 120V          | 10W                   | 3000K | 863    | 86             | 50,000             |
| SLT SHD SPOT 40K MVOLT   | 120V          | 10W                   | 4000K | 1023   | 102            | 50,000             |
| SLT SHD NFLOOD 40K MVOLT | 120V          | 10W                   | 4000K | 971    | 97             | 50,000             |
| SLT SHD FLOOD 40K MVOLT  | 120V          | 10W                   | 4000K | 1018   | 102            | 50,000             |
| SLT SHD WFLOOD 40K MVOLT | 120V          | 10W                   | 4000K | 897    | 90             | 50,000             |

#### ELECTRICAL DATA

|                      |        |
|----------------------|--------|
| Input Voltage        | MVOLT  |
| Input Current (max.) | 0.185A |
| Power Factor         | >0.92  |
| T.H.D.               | <20%   |

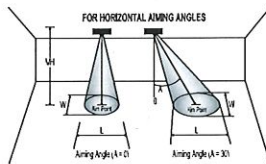
Notes:

<sup>1</sup> Performance data, including Rated Life, is based on measurements of an individual fixture operating in a 25°C ambient.

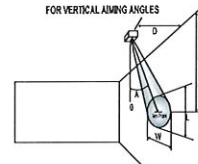
#### PHOTOMETRICS

CBCP • Centerbeam candlepower  
 FC • Footcandles at beam center (aim point)

In vertical aiming applications, aim point (X) is determined by dividing distance from the wall (D) by the tangent of the desired aim angle (A) (0.5774 for 30°, 1.0 for 45°, 1.732 for 60°).



Horizontal Aiming Angles



Vertical Aiming Angles



| Fixture                | Beam Type | Beam Spread | Rated Life | CBCP  | 0° |     | 30° |     |     | 30° |     |     |     | 45°  |      |     |     | 60° |     |     |    |     |     |     |     |
|------------------------|-----------|-------------|------------|-------|----|-----|-----|-----|-----|-----|-----|-----|-----|------|------|-----|-----|-----|-----|-----|----|-----|-----|-----|-----|
|                        |           |             |            |       | MH | FC  | L   | W   | FC  | L   | W   | D   | FC  | X    | L    | W   | FC  | X   | L   | W   | D  | FC  | X   | L   | W   |
| SLT 3000K Spot         | SPOT      | 12°         | 50000      | 10769 | 6  | 299 | 1.6 | 1.6 | 194 | 2.2 | 1.9 | 3   | 150 | 5.2  | 3.4  | 1.6 | 423 | 3.0 | 1.7 | 1.1 | 6  | 194 | 3.5 | 2.2 | 1.9 |
|                        |           |             |            |       | 8  | 168 | 2.2 | 2.2 | 109 | 2.9 | 2.5 | 4   | 84  | 6.9  | 4.6  | 2.2 | 238 | 4.0 | 2.2 | 1.5 | 8  | 109 | 4.6 | 2.9 | 2.5 |
|                        |           |             |            |       | 10 | 108 | 2.7 | 2.7 | 70  | 3.6 | 3.1 | 5   | 54  | 8.7  | 5.7  | 2.7 | 152 | 5.0 | 2.8 | 1.9 | 10 | 70  | 5.8 | 3.6 | 3.1 |
|                        |           |             |            |       | 12 | 75  | 3.2 | 3.2 | 49  | 4.4 | 3.7 | 6   | 37  | 10.4 | 6.9  | 3.2 | 106 | 6.0 | 3.3 | 2.3 | 12 | 49  | 6.9 | 4.4 | 3.7 |
|                        |           |             |            |       | 14 | 55  | 3.8 | 3.8 | 36  | 5.1 | 4.4 | 7   | 27  | 12.1 | 8.0  | 3.8 | 78  | 7.0 | 3.9 | 2.7 | 14 | 36  | 8.1 | 5.1 | 4.4 |
| SLT 3000K Narrow Flood | NFLOOD    | 23°         | 50000      | 4434  | 4  | 277 | 1.8 | 1.8 | 180 | 2.5 | 2.1 | 2.0 | 139 | 3.5  | 4.4  | 1.8 | 392 | 2.0 | 1.9 | 1.3 | 4  | 180 | 2.3 | 2.5 | 2.1 |
|                        |           |             |            |       | 6  | 123 | 2.8 | 2.8 | 80  | 3.7 | 3.2 | 2.5 | 89  | 4.3  | 5.5  | 2.3 | 251 | 2.5 | 2.4 | 1.6 | 6  | 80  | 3.5 | 3.7 | 3.2 |
|                        |           |             |            |       | 8  | 69  | 3.7 | 3.7 | 45  | 5.0 | 4.2 | 3.0 | 62  | 5.2  | 6.6  | 2.8 | 174 | 3.0 | 2.9 | 2.0 | 8  | 45  | 4.6 | 5.0 | 4.2 |
|                        |           |             |            |       | 10 | 44  | 4.6 | 4.6 | 29  | 6.2 | 5.3 | 3.5 | 45  | 6.1  | 7.7  | 3.2 | 128 | 3.5 | 3.4 | 2.3 | 10 | 29  | 5.8 | 6.2 | 5.3 |
|                        |           |             |            |       | 12 | 31  | 5.5 | 5.5 | 20  | 7.5 | 6.4 | 4.0 | 35  | 6.9  | 8.7  | 3.7 | 98  | 4.0 | 3.9 | 2.6 | 12 | 20  | 6.9 | 7.5 | 6.4 |
| SLT 3000K Flood        | FLOOD     | 34°         | 50000      | 2481  | 4  | 155 | 2.7 | 2.7 | 101 | 3.8 | 3.1 | 1.0 | 310 | 1.7  | 4.1  | 1.4 | 877 | 1.0 | 1.5 | 1.0 | 3  | 179 | 1.7 | 2.8 | 2.3 |
|                        |           |             |            |       | 5  | 99  | 3.4 | 3.4 | 64  | 4.7 | 3.9 | 1.5 | 138 | 2.6  | 6.2  | 2.0 | 390 | 1.5 | 2.3 | 1.4 | 4  | 101 | 2.3 | 3.8 | 3.1 |
|                        |           |             |            |       | 6  | 69  | 4.1 | 4.1 | 45  | 5.6 | 4.7 | 2.0 | 78  | 3.5  | 8.3  | 2.7 | 219 | 2.0 | 3.1 | 1.9 | 5  | 64  | 2.9 | 4.7 | 3.9 |
|                        |           |             |            |       | 7  | 51  | 4.7 | 4.7 | 33  | 6.6 | 5.5 | 2.5 | 50  | 4.3  | 10.3 | 3.4 | 140 | 2.5 | 3.8 | 2.4 | 6  | 45  | 3.5 | 5.6 | 4.7 |
|                        |           |             |            |       | 8  | 39  | 5.4 | 5.4 | 25  | 7.5 | 6.3 | 3.0 | 34  | 5.2  | 12.4 | 4.1 | 97  | 3.0 | 4.6 | 2.9 | 7  | 33  | 4.0 | 6.6 | 5.5 |
| SLT 3000K Wide Flood   | WFLOOD    | 53°         | 50000      | 1071  | 2  | 268 | 2.0 | 2.0 | 174 | 2.9 | 2.3 | 1.0 | 134 | 1.7  | 15.0 | 2.0 | 379 | 1.0 | 2.6 | 1.4 | 2  | 174 | 1.2 | 2.9 | 2.3 |
|                        |           |             |            |       | 3  | 119 | 3.0 | 3.0 | 77  | 4.3 | 3.4 | 1.5 | 60  | 2.6  | 22.5 | 3.0 | 168 | 1.5 | 3.9 | 2.1 | 3  | 77  | 1.7 | 4.3 | 3.4 |
|                        |           |             |            |       | 4  | 67  | 4.0 | 4.0 | 43  | 5.8 | 4.6 | 2.0 | 33  | 3.5  | **   | 4.0 | 95  | 2.0 | 5.3 | 2.8 | 4  | 43  | 2.3 | 5.8 | 4.6 |
|                        |           |             |            |       | 5  | 43  | 5.0 | 5.0 | 28  | 7.2 | 5.7 | 2.5 | 21  | 4.3  | **   | 5.0 | 61  | 2.5 | 6.6 | 3.5 | 5  | 28  | 2.9 | 7.2 | 5.7 |
|                        |           |             |            |       | 6  | 30  | 5.9 | 5.9 | 19  | 8.6 | 6.9 | 3.0 | 15  | 5.2  | **   | 5.9 | 42  | 3.0 | 7.9 | 4.2 | 6  | 19  | 3.5 | 8.6 | 6.9 |

For 2700K fixtures, use 0.90 multiplier.  
 For 4000K fixtures, use 1.04 multiplier.

\*\*Due to steep aiming angle, length of beam extends beyond 25'.



**Robb, Melissa**

---

**From:** Bhavneet Birdi <bhavneet@louischerry.com>  
**Sent:** Tuesday, May 30, 2017 1:34 PM  
**To:** Robb, Melissa  
**Cc:** Tully, Tania; 'Louis Cherry' (lou.cherry9@gmail.com)  
**Subject:** Re: FW: Centro Sign - Schedule Inquiry  
**Attachments:** Centro Exterior Light\_Sign-Lighter-LED\_H11\_3\_4\_pdf.pdf; Centro\_Gallo Pelon\_Sign\_5.30.17.pdf; Centro\_Gallo Pelon\_Facade\_5.30.17.pdf

Melissa,

Please see responses for your comments below:

1. What material is the lettering made from? I see the sign body is oak and the frame is metal, but there's no indication of the lettering material.

[The oak sign will be sandblasted, revealing raised oak lettering.]

2. How will the sign be mounted? Since it's going into a masonry wall the anchors should be into the mortar joints, not through the masonry units.

[The sign will be mounted into the mortar joints.]

3. It appears there is a break in the metal frame to accommodate the cornice. Is that accurate?

[The metal frame will be continuous with blocking as needed to accommodate the depth of the cornice.]

4. The application mentions that lighting will be installed. Where will the lights go and what will they look like? Also, how will the lights be mounted into the masonry?

[Please see attached lighting specification and exterior elevations for installation and appearance. The lights will be mounted to the masonry with all conduit running on the interior.]

Please let us know if you have any other questions.

Thank you,

Bhavneet

On Fri, May 26, 2017 at 12:09 PM, Robb, Melissa <[Melissa.Robb@raleighnc.gov](mailto:Melissa.Robb@raleighnc.gov)> wrote:

Bhavneet,