

RHDC
 RALEIGH HISTORIC
 DEVELOPMENT COMMISSION

CERTIFICATE OF APPROPRIATENESS PLACARD

for Raleigh Historic Resources

5 W HARGETT STREET

Address

Historic District

RALEIGH BANKING & TRUST

Historic Property

009-16-MW

Certificate Number

1/20/2016

Date of Issue

7/20/2016

Expiration Date

Project Description:

- Remove canopy;
- remove light fixtures;
- install new canopy with lighting.

OK to PERMIT

This card must be kept pasted in a location within public view until all phases of the described project are complete. The work must conform with the code of the City of Raleigh and laws of the state of North Carolina. When your project is complete, you are required to ask for a final zoning inspection in a historic district area. Telephone the RHDC office at 832-7238 and commission staff will coordinate the inspection with the Inspections Department. If you do not call for this final inspection, your Certificate of Appropriateness is null and void.

Signature

Raleigh Historic Development Commission

Pending the resolution of appeals, commencement of work is at your own risk.



Planning & Development

Development Services
 Customer Service Center
 One Exchange Plaza
 1 Exchange Plaza, Suite 400
 Raleigh, North Carolina 27601
 Phone 919-996-2495
 eFax 919-996-1831

Raleigh Historic Development Commission – Certificate of Appropriateness (COA) Application



- Minor Work (staff review) – 1 copy**
- Major Work (COA Committee review) – 13 copies**
- Most Major Work Applications
- Additions Greater than 25% of Building Square Footage
- New Buildings
- Demo of Contributing Historic Resource
- Post Approval Re-review of Conditions of Approval

For Office Use Only

Transaction # 458624

File # 009-16-MW

Fee \$29.00

Amt Paid \$29.00

Check # 353

Rec'd Date 1-8-16

Rec'd By [Signature]

• If completing by hand, please use **BLACK INK**. Do not use blue, red, any other color, or pencil as these do not photocopy.

Property Street Address **5 W Hargett Street, Raleigh, NC 27601**

Historic District **Fayetteville Street**

Historic Property/Landmark name (if applicable) **Raleigh Banking and Trust Company Building (Raleigh Building)**

Owner's Name **Raleigh Building, LLC**

Lot size **0.17 acres** (width in feet) **64 ft** (depth in feet) **114 ft**

For applications that require review by the COA Committee (Major Work), provide addressed, stamped envelopes to owners of all properties within 100 feet (i.e. both sides, in front (across the street), and behind the property) not including the width of public streets or alleys:

Property Address	Property Address
n/a	n/a

I understand that all applications that require review by the commission's Certificate of Appropriateness Committee must be submitted by 4:00 p.m. on the application deadline; otherwise, consideration will be delayed until the following committee meeting. An incomplete application will not be accepted.


Type or print the following:

Applicant **Andrew Osterlund, Architect for The Raleigh Building, LLC**

Mailing Address **5 W Hargett St., Suite 502**

City Raleigh	State NC	Zip Code 27601
Date 1/8/16	Daytime Phone 919.838.9337	

Email Address **andy@aoarchitect.com**

Signature of Applicant 

Minor Work Approval (office use only)

Upon being signed and dated below by the Planning Director or designee, this application becomes the Minor Work Certificate of Appropriateness. It is valid until 7/20/16. Please post the enclosed placard form of the certificate as indicated at the bottom of the card. Issuance of a Minor Work Certificate shall not relieve the applicant, contractor, tenant, or property owner from obtaining any other permit required by City Code or any law. Minor work projects not approved by staff will be forwarded to the Certificate of Appropriateness Committee for review at the next scheduled meeting.

Signature  _____ Date 1/20/16

Project Categories (check all that apply):

- Exterior Alteration
- Addition
- New Construction
- Demolition

Will you be applying for state or federal rehabilitation tax credits for this project?

Yes
 No

(Office Use Only)

Type of Work _____
19, 18

Design Guidelines Please cite the applicable sections of the design guidelines (www.rhdc.org).

Section/Page	Topic	Brief Description of Work
3.8	entrances, porches and balconies	addition of a new canopy similar in style to the previous 1930's first floor design
3.9	storefronts	retain existing historical sign above entry; canopy is similar to Art Moderne style of building's 1935 renovation
		remove awning
		remove light fixtures, install
		lighting

	TO BE COMPLETED BY APPLICANT		TO BE COMPLETED BY CITY STAFF		
	YES	N/A	YES	NO	N/A
<p>Attach 8-1/2 " x 11" sheets with written descriptions and drawings, photographs, and other graphic information necessary to completely describe the project. Use the checklist below to be sure your application is complete.</p> <p>Minor Work (staff review) – 1 copy</p> <p>Major Work (COA Committee review) – 13 copies</p>					
1. Written description. Describe clearly and in detail the nature of your project. Include exact dimensions for materials to be used (e.g. width of siding, window trim, etc.)	<input checked="" type="checkbox"/>				
2. Description of materials (Provide samples, if appropriate)	<input checked="" type="checkbox"/>				
3. Photographs of existing conditions are required.	<input checked="" type="checkbox"/>				
4. Paint Schedule (if applicable)	<input type="checkbox"/>	<input checked="" type="checkbox"/>			
5. Plot plan (if applicable). A plot plan showing relationship of buildings, additions, sidewalks, drives, trees, property lines, etc., must be provided if your project includes any addition, demolition, fences/walls, or other landscape work. Show accurate measurements. You may also use a copy of the survey you received when you bought your property. Revise the copy as needed to show existing conditions and your proposed work.	<input checked="" type="checkbox"/>	<input type="checkbox"/>			
6. Drawings showing proposed work <ul style="list-style-type: none"> <input checked="" type="checkbox"/> Plan drawings <input checked="" type="checkbox"/> Elevation drawings showing the new façade(s). <input checked="" type="checkbox"/> Dimensions shown on drawings and/or graphic scale. <input checked="" type="checkbox"/> 8-1/2" x 11" reductions of full-size drawings. If reduced size is so small as to be illegible, make 8-1/2" x 11" snap shots of individual drawings on the big sheet. 	<input checked="" type="checkbox"/>	<input type="checkbox"/>			
7. Stamped envelopes addressed to all property owners within 100 feet of property not counting the width of public streets and alleys. (Required for Major Work)	<input type="checkbox"/>	<input checked="" type="checkbox"/>			
8. Fee (See Development Fee Schedule)	<input type="checkbox"/>				

1/7/2016

To: Raleigh Historic District Commission
Attn: Tania Tully

RE: Certificate of Appropriateness

5 W Hargett Street Canopy #1530

A new entrance canopy is proposed for the Raleigh Building (formerly known as the Raleigh Banking and Trust Company Building) on West Hargett Street in downtown Raleigh. The new canopy will reflect the Art Moderne style of the building better than the existing fabric awning. Structural drawings from 1935 indicate the presence of an entrance marquis, though no other drawings or photographs have been located to show that it was built.

The first floor of the building houses a CVS to the east of the entrance at the corner of Hargett and Fayetteville Streets and the future Raleigh Raw store to the west of the entrance. The remaining 10 floors are office space.

The canopy will be clad in black spandrel glass and brushed aluminum. This is reminiscent of the storefront façade seen in photographs of the building from the late 1930's after the 1935 renovation transformed the building in the Art Moderne style. Spandrel glass is used as a replacement for the now unavailable Carrara glass used in Art Deco and Art Moderne buildings. Brushed aluminum is a modern take on the polished metal finish that would have been popular at that time.

The canopy measures 8'-9" across the front, 5'-8" in depth, and 16" in height. It protrudes from the edge of the building 2'-0". A standard aluminum canopy will be used as the structural frame. That frame will be wrapped in black spandrel glass and completed with a roll formed brushed aluminum detail at the cornice and drip edge. The ceiling will be a cementitious soffit with recessed LED lights. The canopy cantilevers from the building and attaches at an existing steel beam.

Removal of the current fabric awning will reveal a glass panel over the doors with the lettering "Raleigh Building." The sign will remain intact.

The attached photographs, renderings and architectural drawings provide information on existing and historical conditions as well as documentation on the proposed canopy.



EXISTING AWNING TO BE
REMOVED

EXISTING STOREFRONT TO
REMAIN

EXISTING STOREFRONT TO
BE REPLACED BY OTHERS
UNDER SEPARATE PROJECT

HARGETT STREET VIEW

5W HARGETT STREET
EXISTING CONDITIONS



EXISTING AWNING TO BE REMOVED

EXISTING STOREFRONT TO REMAIN

EXISTING STOREFRONT TO BE REPLACED BY OTHERS UNDER SEPARATE PROJECT

HARGETT STREET VIEW

5W HARGETT STREET
EXISTING CONDITIONS



EXISTING AWNING TO BE
REMOVED

EXISTING ENTRANCE TO
REMAIN

EXISTING STOREFRONT TO
BE REPLACED BY OTHERS
UNDER SEPARATE PROJECT

SIDE VIEW

5W HARGETT STREET
EXISTING CONDITIONS



EXISTING AWNING TO BE
REMOVED

EXISTING SIGNAGE TO
REMAIN

EXISTING STOREFRONT TO
REMAIN

EXISTING SCNCES TO BE
REMOVED

UNDER AWNING

5W HARGETT STREET
EXISTING CONDITIONS



1913 BUILDING



1928 ADDITION



1935 RENOVATION

5W HARGETT STREET
HISTORIC CONDITIONS

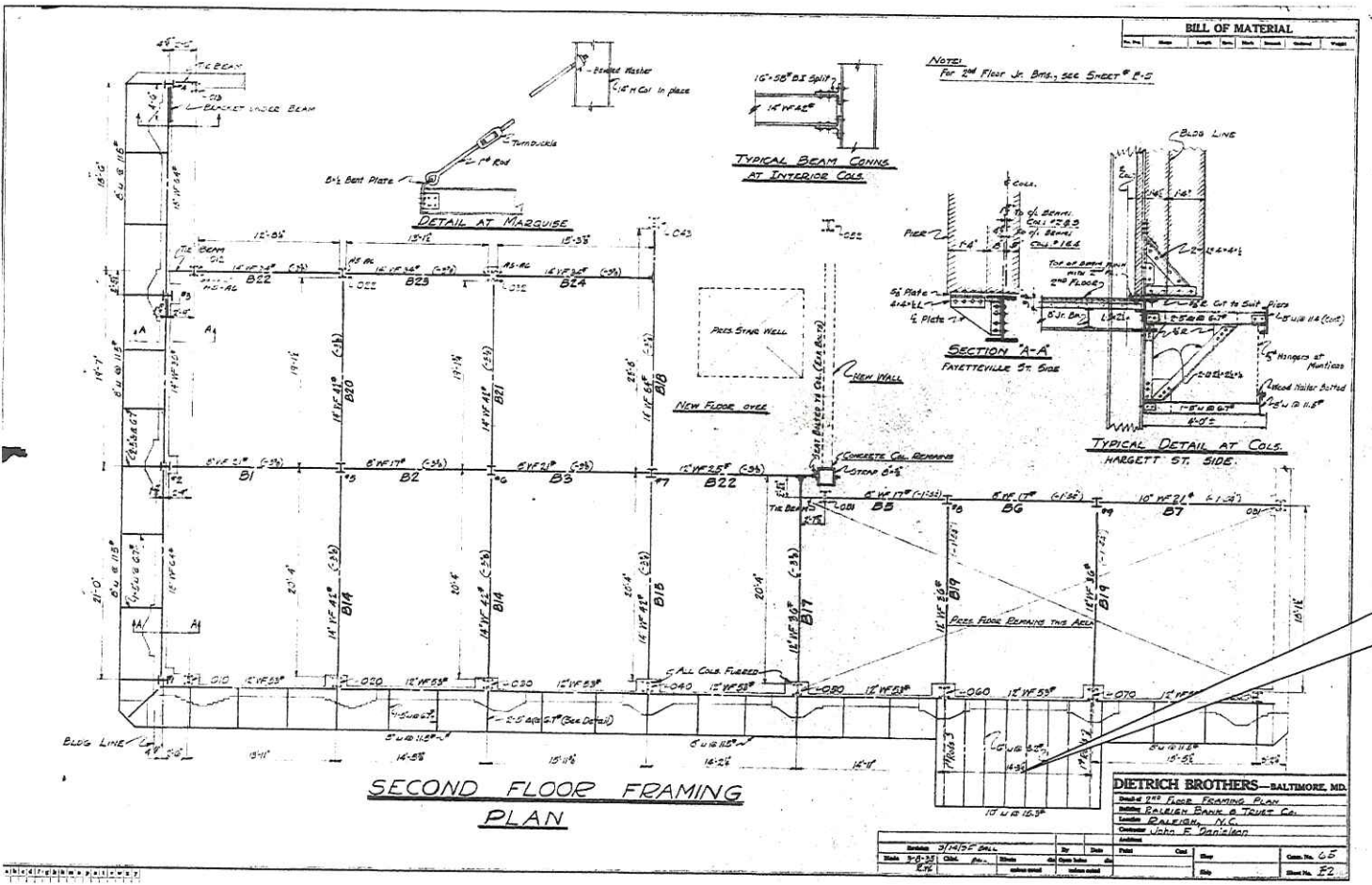


FAYETTEVILLE AND HARGETT STREET, LATE 1930's

5W HARGETT STREET
HISTORIC CONDITIONS



CLOSE UP, LATE 1930's



5 W HARGETT STREET

HISTORIC CONDITIONS



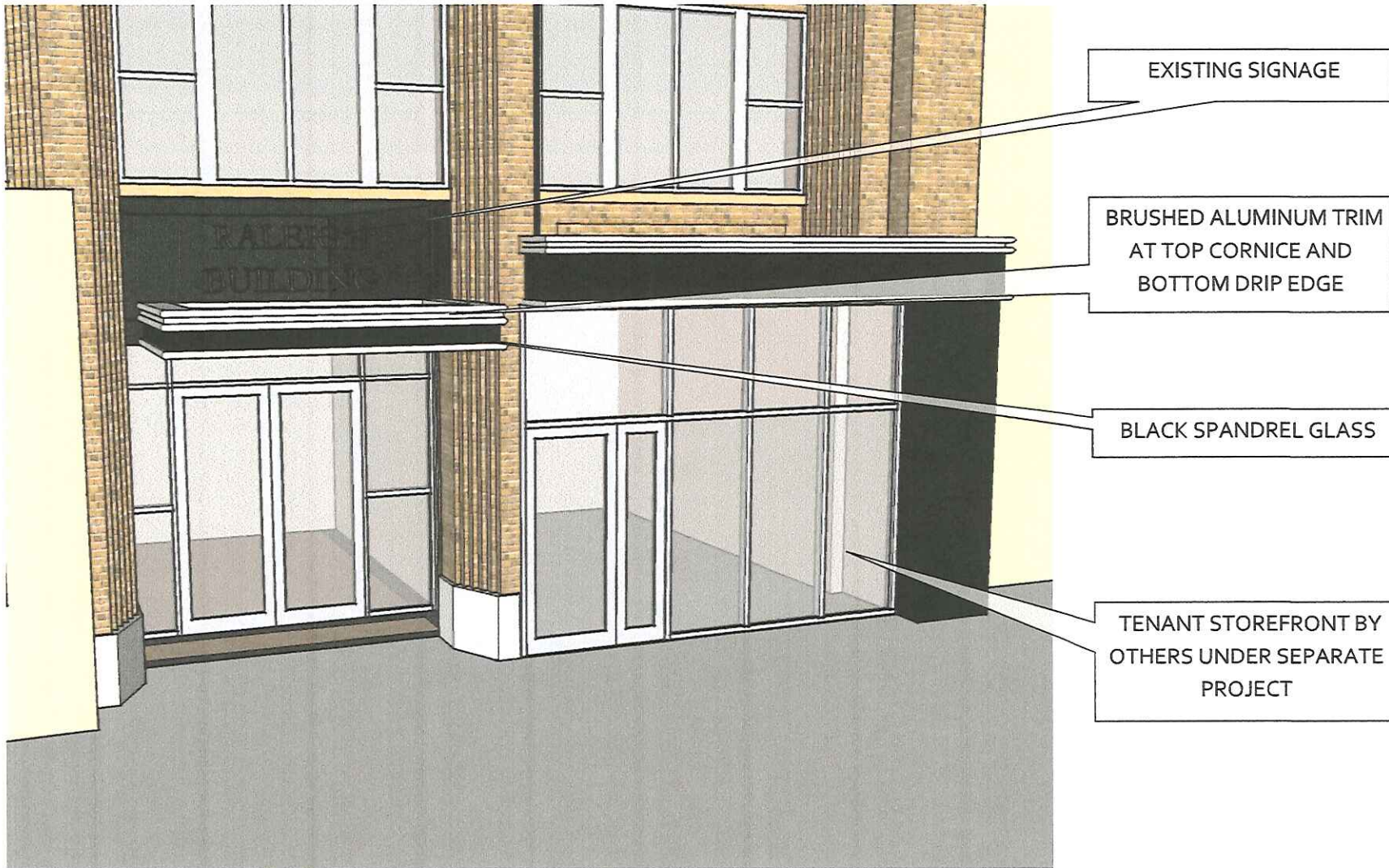
SIDE VIEW

5W HARGETT STREET
PROPOSED ENTRANCE CANOPY



HARGETT STREET VIEW

5W HARGETT STREET
PROPOSED ENTRANCE CANOPY



OVERHEAD VIEW

5W HARGETT STREET
PROPOSED ENTRANCE CANOPY

PROJECT No.: 1530

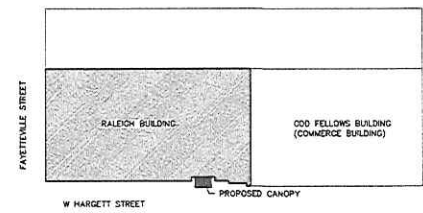
RALEIGH BUILDING CANOPY
 Raleigh, NC
 The Raleigh Building, LLC
 Raleigh, NC

SCALE:
NOT FOR CONSTRUCTION

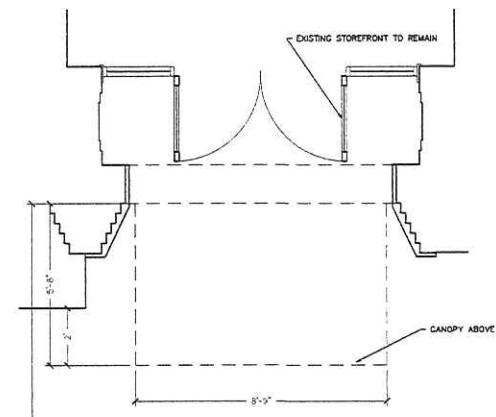
ISSUE: Design
 DATE: Jan-16
 DRAWN BY: JFG
 (CAD ARCHITECT, 2016)
 REVISIONS:

FLOOR PLANS
A101

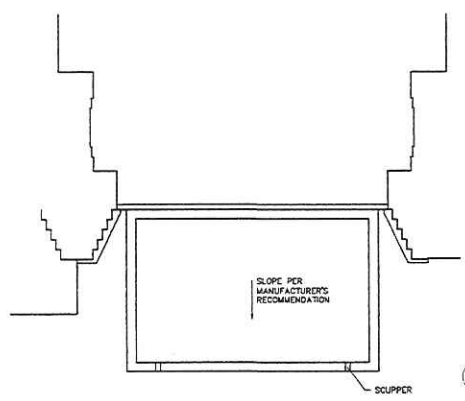
GENERAL NOTES	
1. FIELD VERIFY EXISTING CONDITIONS 2. DIMENSIONS ARE TO EXISTING FINISHES AND FACE OF NEW STUDS 3. DEMOLISH EXISTING CANOPY AND SCISSORS.	
LEGEND	
OVERHEAD	---
LIGHTING SCHEDULE	
E1 LED RECESSED CAN	



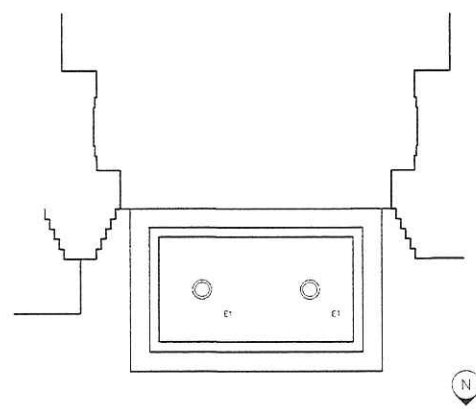
KEY PLAN
 SCALE: 1/32" = 1'-0" **2F**



FLOOR PLAN
 SCALE: 1/2" = 1'-0" **2A**



CANOPY ROOF PLAN
 SCALE: 1/2" = 1'-0" **5A**



REFLECTED CANOPY PLAN
 SCALE: 1/2" = 1'-0" **8A**

CONSULTANTS:

PROJECT No: 1530

RALEIGH BUILDING CANOPY
Raleigh, NC
The Raleigh Building, LLC
Raleigh, NC

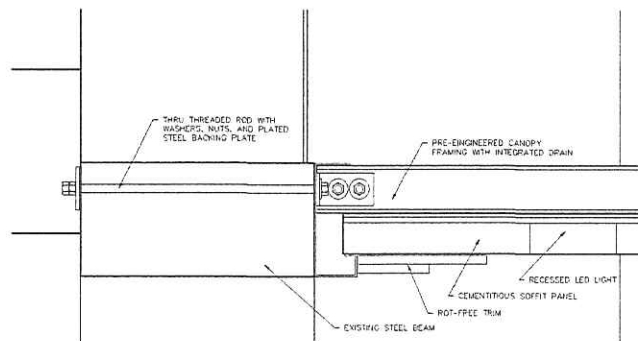
SCALE:

**NOT FOR
CONSTRUCTION**

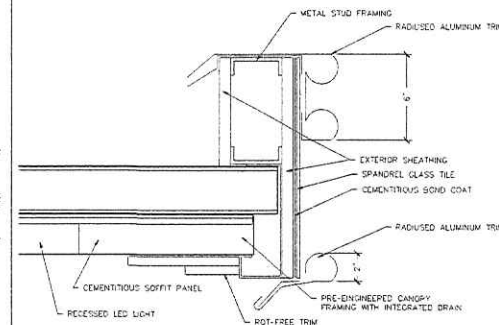
ISSUE: Design
DATE: 10-14-16
DRAWN BY: JFG
10-14-16 ARCHITECT, 2016
REVISIONS:

ELEVATIONS
SECTIONS

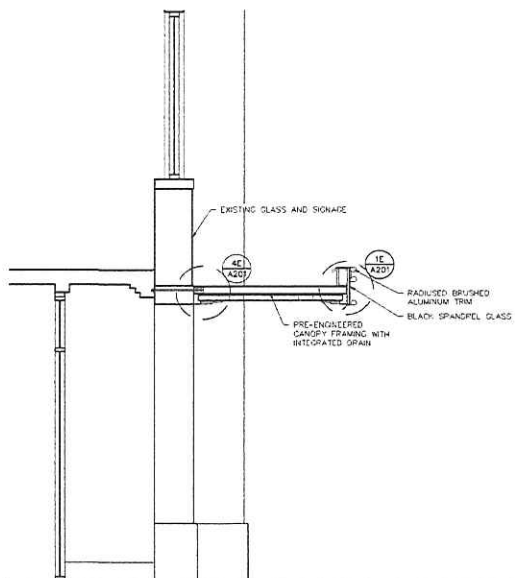
A201



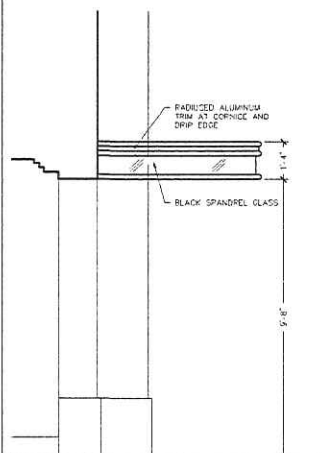
CANOPY DETAIL 4E
SCALE: 3" = 1'-0"



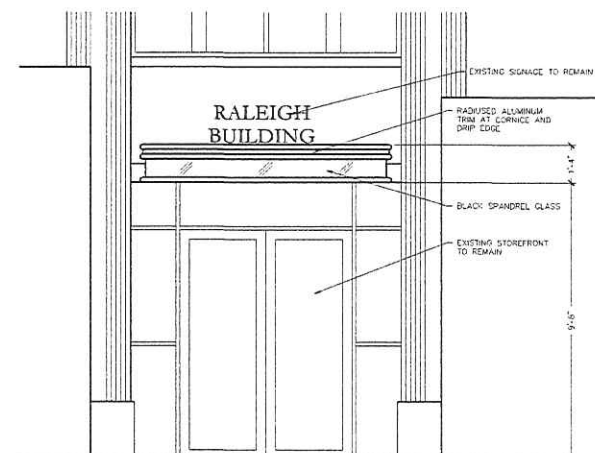
CANOPY DETAIL 1E
SCALE: 3" = 1'-0"



SECTION 7A
SCALE: 1/2" = 1'-0"



SIDE ELEVATION 3A
SCALE: 1/2" = 1'-0"



FRONT ELEVATION 1A
SCALE: 1/2" = 1'-0"



1/8/2016

TRANSMITTAL

PROJECT NAME: 5 W Hargett St Canopy

Project Number: 1530

TO: Raleigh Historic District Commission
City of Raleigh Development Services Customer Service Center
One Exchange Plaza, Suite 400
Raleigh, NC 27601

VIA: hand-delivered by Jenny Profet Grainger

FOR: APPROVAL

QTY	FORMAT	DATE	TITLE
1	Print	1/8/16	RHDC COA Minor Work Application

COMMENTS:

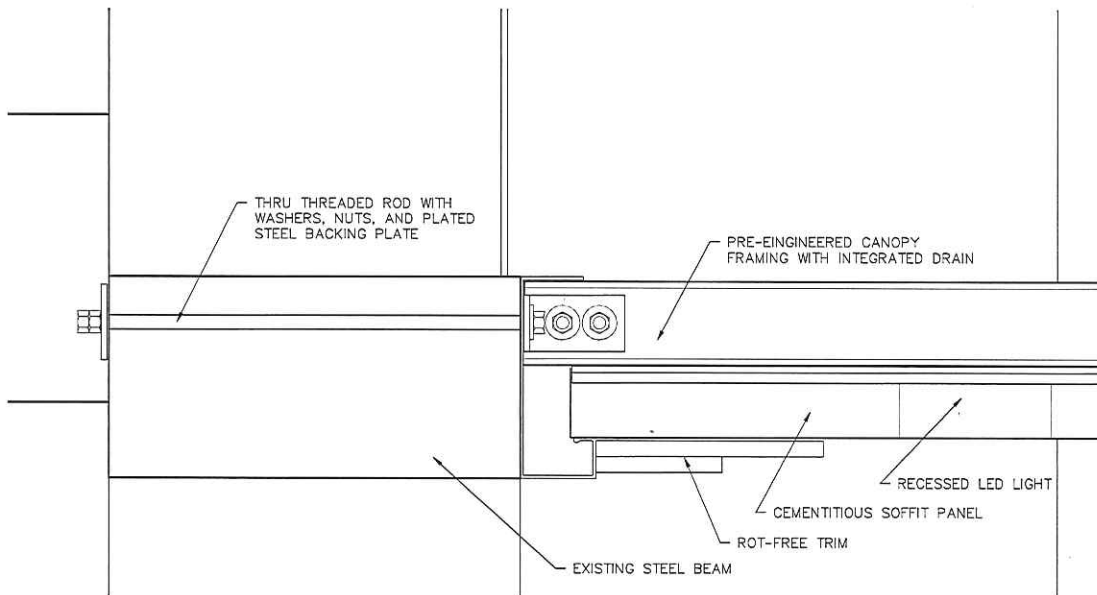
FROM: Andrew Osterlund, Architect, PLLC



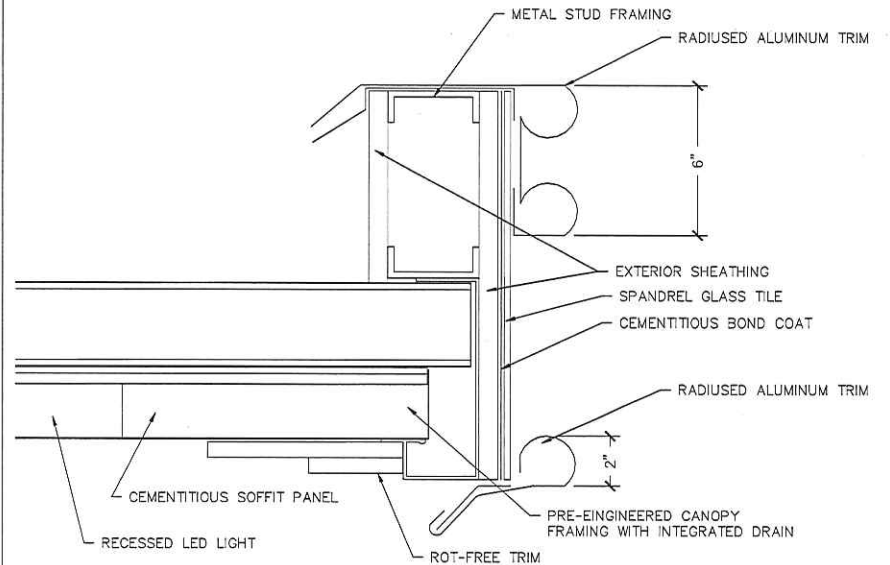
1935 RENOVATION



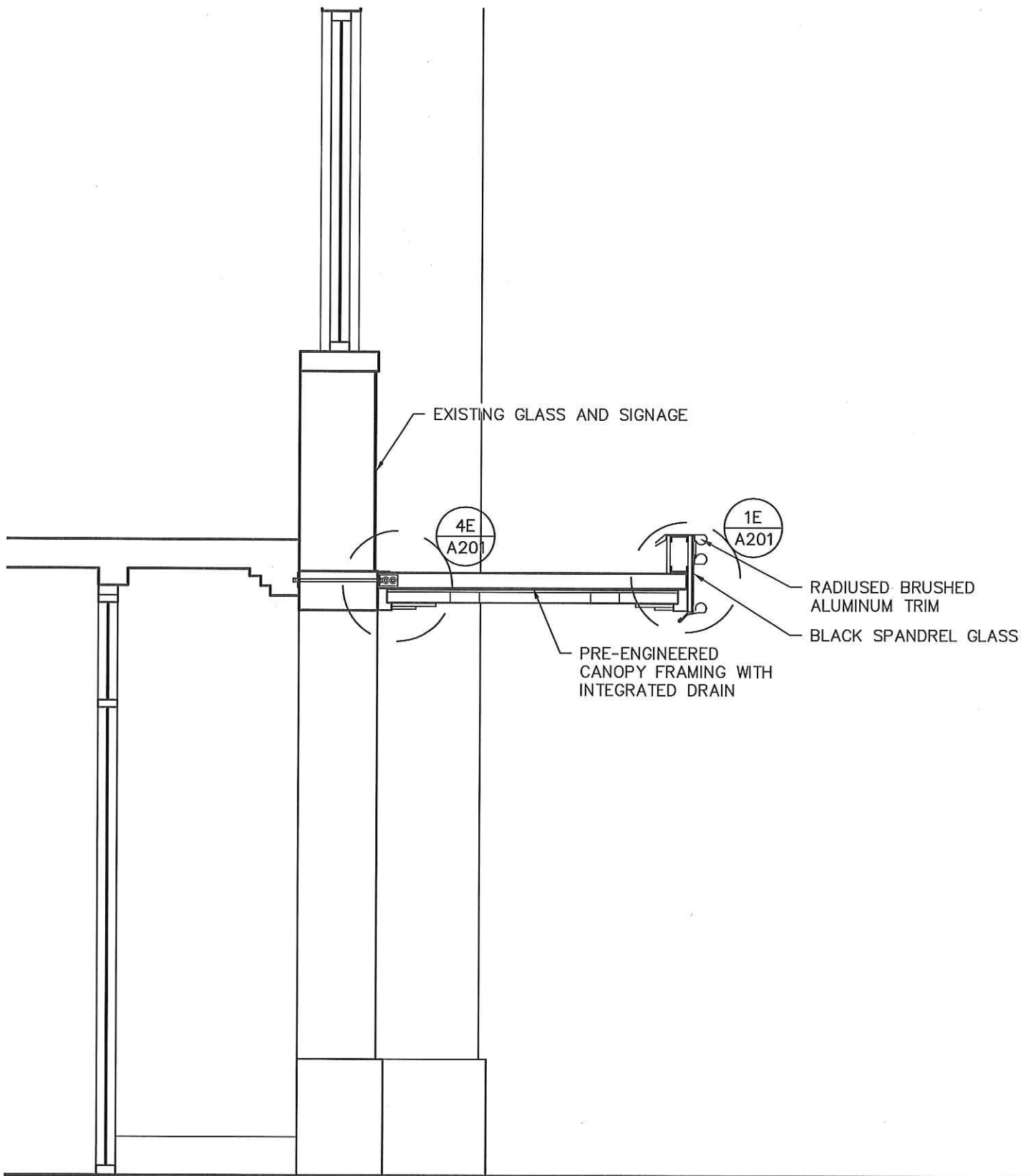
CLOSE UP, LATE 1930's



CANOPY DETAIL **4E**
SCALE: 3" = 1'-0"



CANOPY DETAIL **1E**
SCALE: 3" = 1'-0"



SECTION 7A
SCALE: 1/2" = 1'-0"